

100 mm CNC Monobloc Radial Caliper P4 32/36

Code XA7G240/41 (nickel coating)

Code XA7G210/11 (hard anodized)



Spare Parts • Ricambi

Bleeding screw cover /

Cappuccio vite spurgo

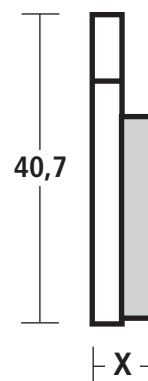
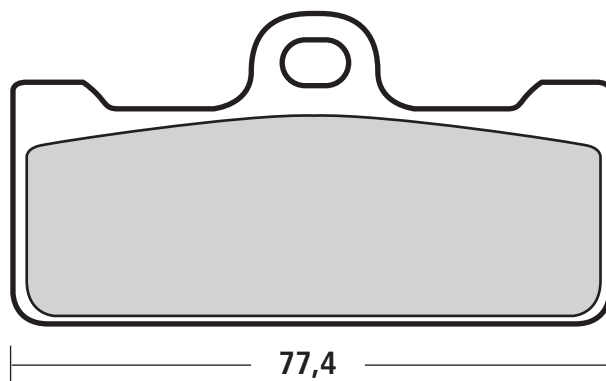
05150220

Bleeding screw / Vite spurgo

05281221

Technical Characteristics • Caratteristiche Tecniche

<i>Pistons / Pistoni</i> Ø	32 / 36 mm.
<i>Construction Material / Materiale</i>	CNC Aluminium / Alluminio CNC
<i>Finishing / Finissaggio</i>	Hard anod. - Nick. coat. / Anod. dura - Nichelata
<i>Weight (with pads) / Massa (con pastiglie)</i>	920 gr.
<i>Brake Fluid / Fluido freni</i>	DOT 4
<i>Hardware / Viteria</i>	Titanium / Titanio
<i>Pistons / Pistoni</i>	Titanium / Titanio
<i>Center to center / Interasse</i>	100 mm.
<i>Offset / Offset</i>	30 mm.



Pads • Pastiglie

Code	Performance	Life
107684820 Z01 Th = 8,35	•	•
M028Z04 Z04 Th = 8	+	•