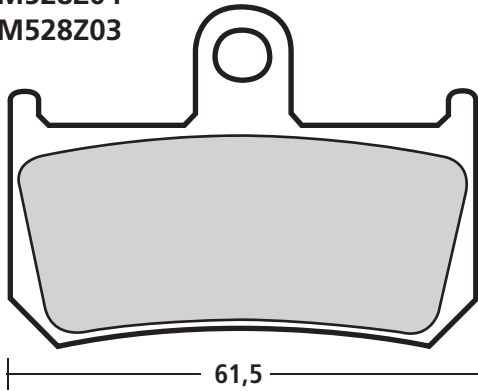
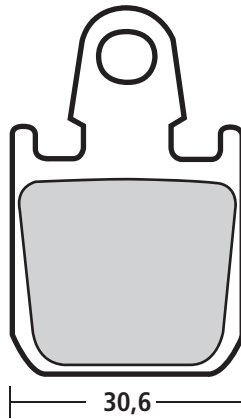


Code M528Z04

Code M528Z03



44,6



48

